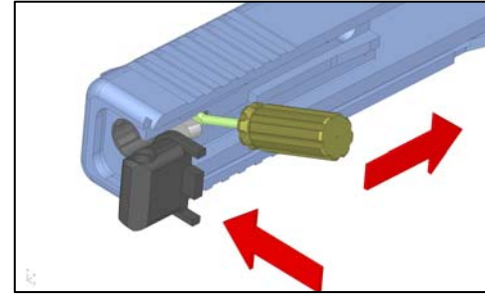
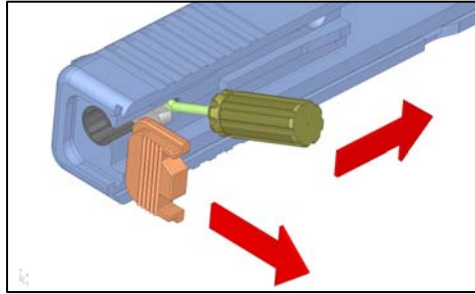
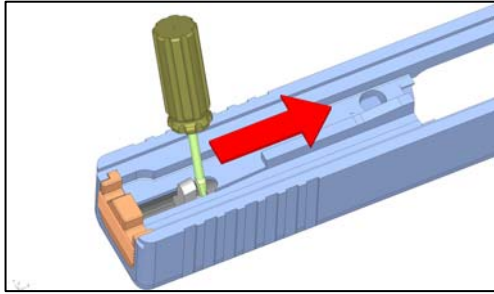
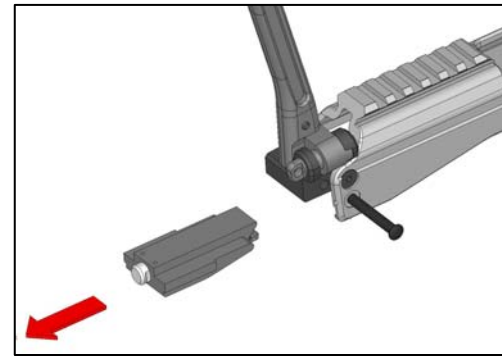
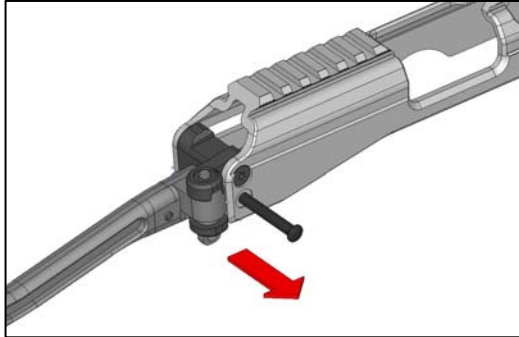


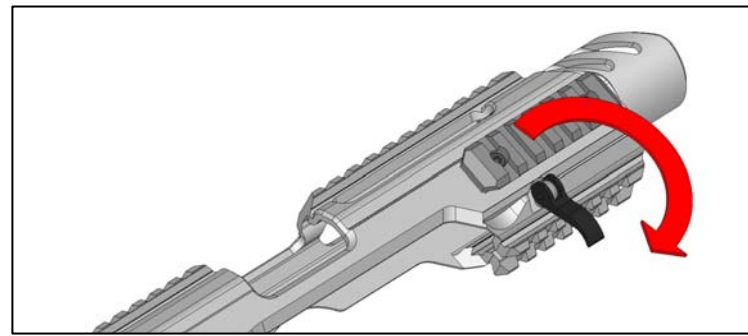
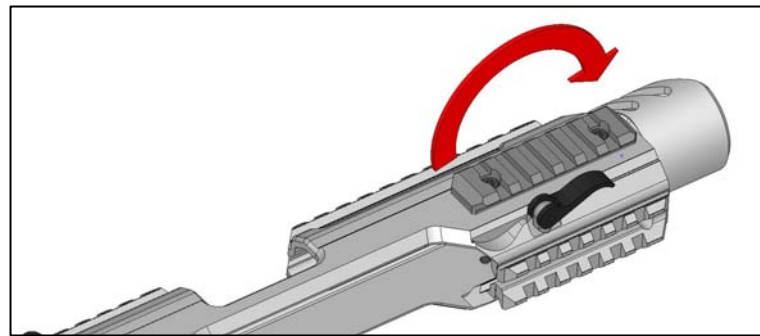
MOUNTING THE GLOCK INTO THE KPOS



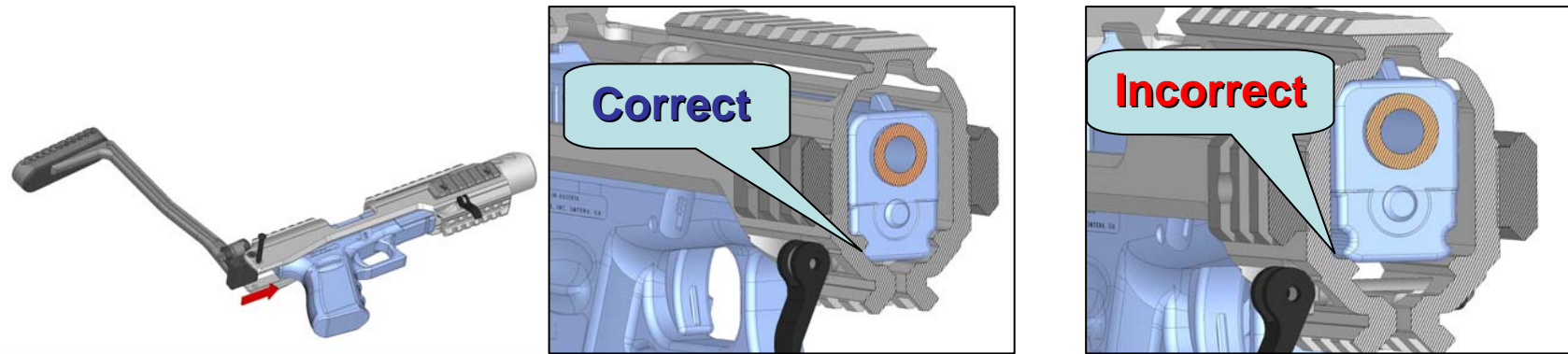
Step 1: remove the original back plate and install the new back plate with the charging handle provided with the kit



Step 2: pull the locking pin at the back, lift the stock up and slide out the back locking piece



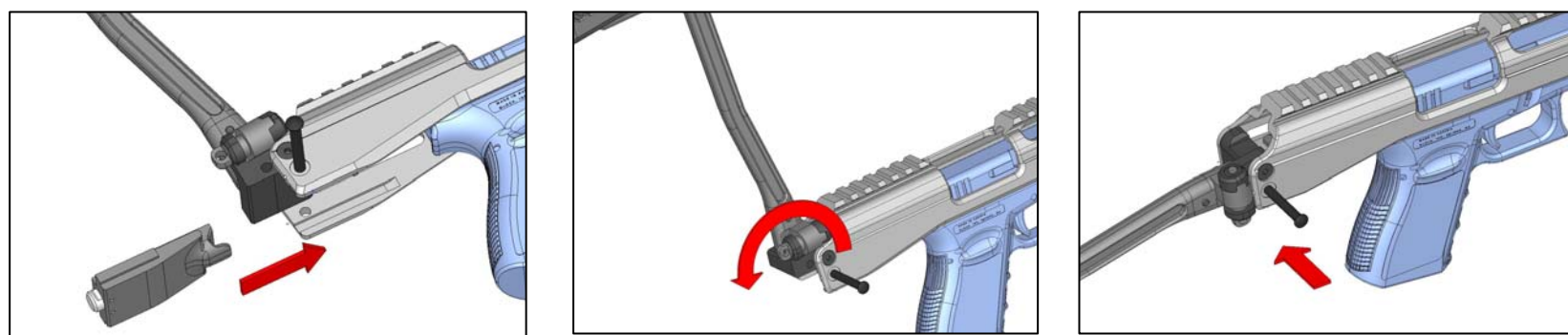
Step 3: open the locking lever to the front and rotate clock wise pointing down



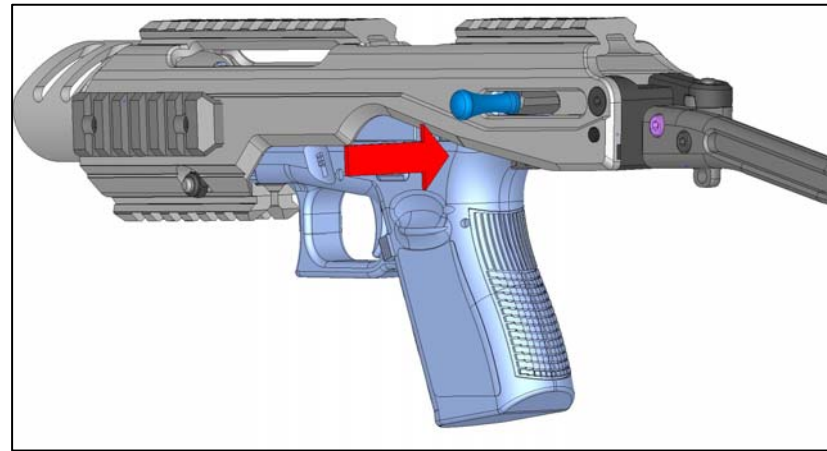
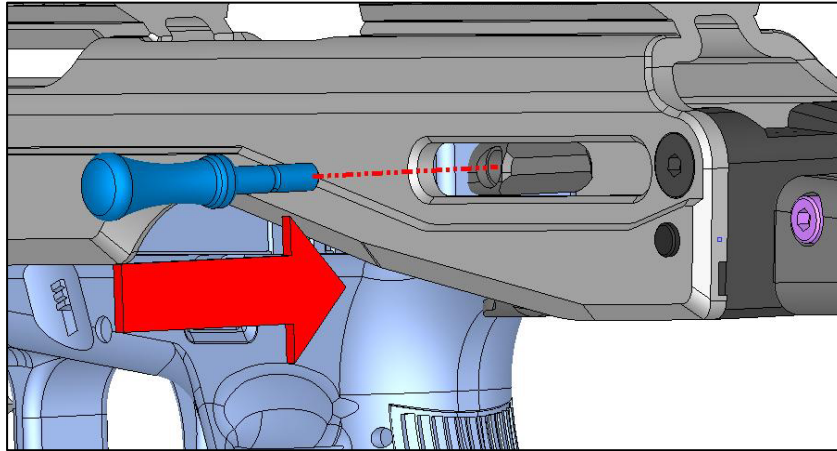
Step 4: insert the pistol into the kpos frame, note: the locking lever must be pointing downwards ,the rail of the pistol must fit inside the rail in the frame



Step 5 :turn the locking lever around the bolt counter clockwise pointing forewards then turn and lock the lever to the back until the lever fits perfectly into its cavity note: the main bolt can be adjusted using the a 10 mm key



Step 6: slide back the rear locking piece , turn the stock down and push the locking pin all the way in



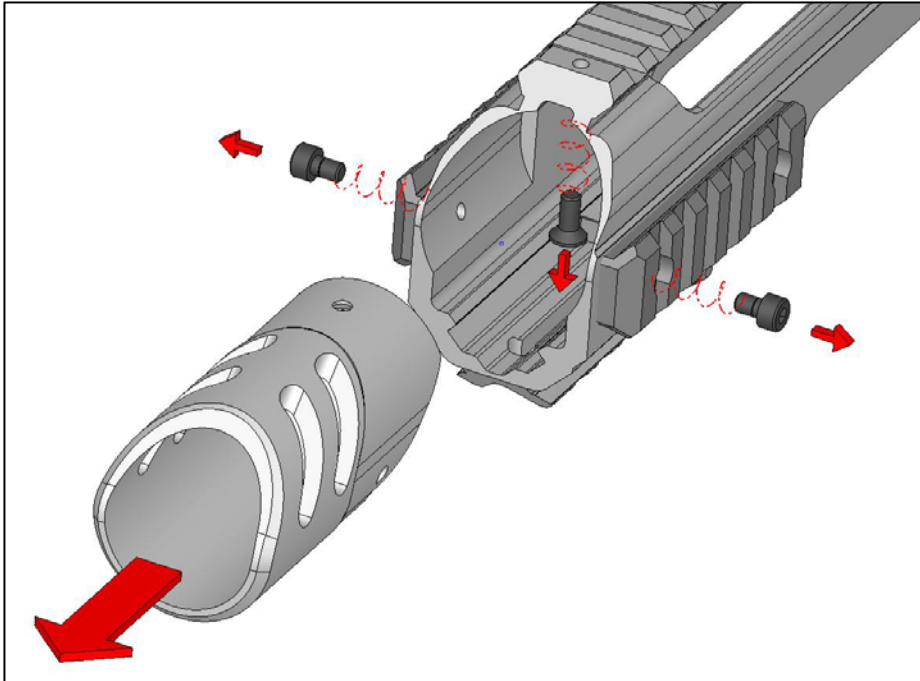
Step 7: push the charging handle into the charging back plate mounted on the pistol thru the frame

FOLDING STOCK



To fold the stock push the stock parallel to the hinge and rotate forward , unfold the stock by pulling it back to place

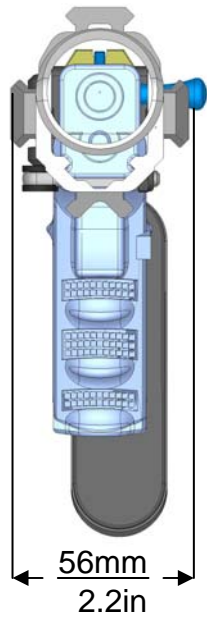
MOUNTING SILENCER



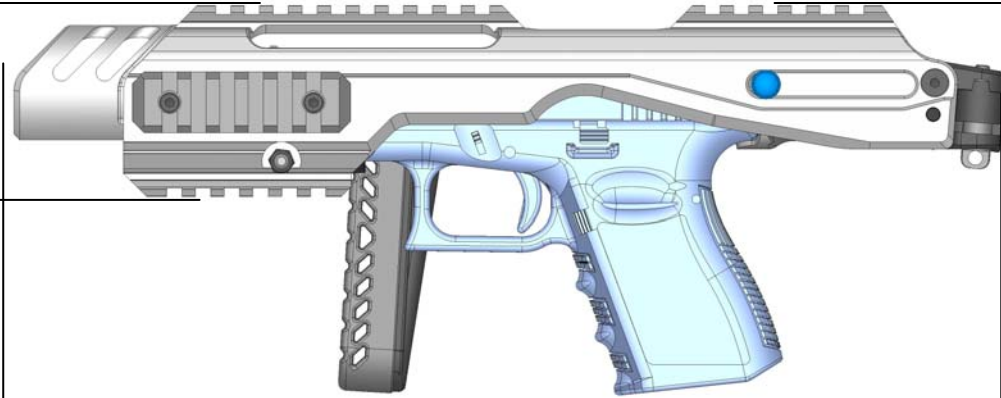
Remove the 3 bolts that holds the flash hider and remove it , reinstall the 2 bolts that are located at the front part of the side accessory rail back , mount the silencer

Silencer should be up to 35mm/1.4in diameter , glock 19 will need a barrel extension on large diameter silencers
If needed contact local FAB DEFENSE distributor

DIMENSIONS WITH GLOCK 19



66mm/2.6in



345mm/13.55in

550mm/21.65in

